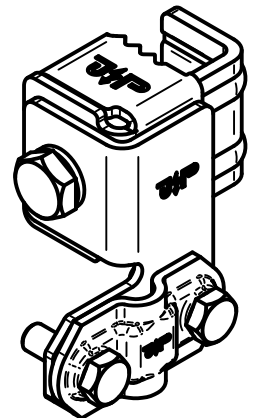
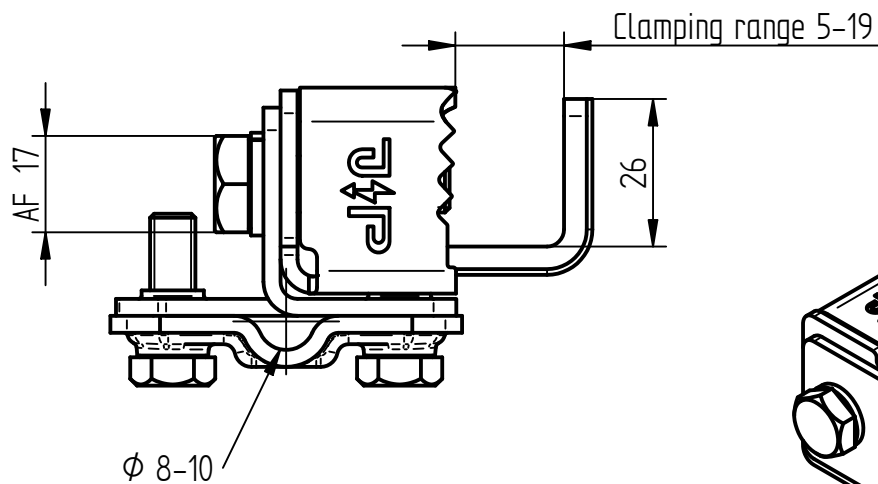
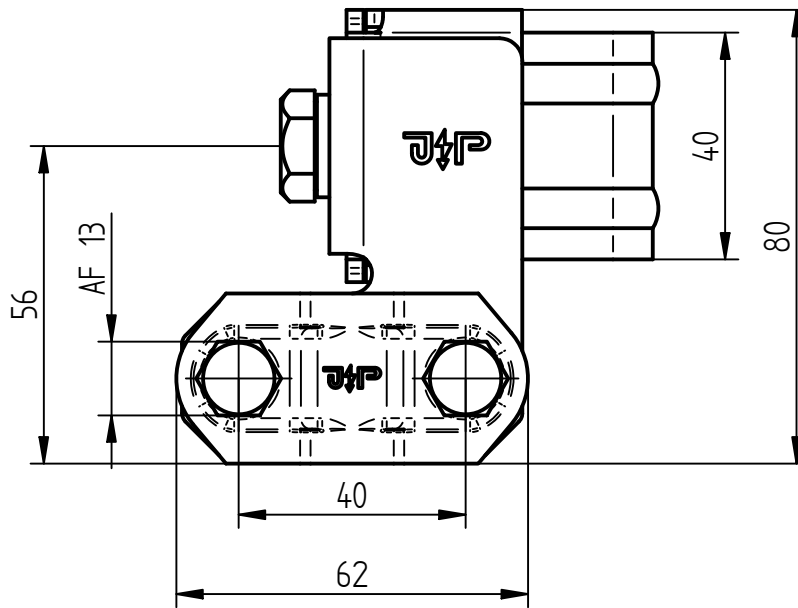


Product Specification

Ord.-No.: **111 787**

Specification: Terminal disconnecting clamp, V2A
Ø 8-10 mm, clamping range 5-19 mm

Performance: Terminal disconnecting clamp (heavy-duty type) according to DIN EN 62561-1 for test joints Ø 8-10 mm for the connection of flat conductors to steel constructions.



Material	Stainless steel V2A
Screw	Hexagon bolt M10, stainless steel V2A
Clamping range	5-19 mm
Fit of disconnecting clamp	Ø 8-10 mm
Screws disconnecting clamp	Hexagon bolt M8, stainless steel V2A
Weight	403 g
Standard reference	DIN EN 62561-1
Packing unit	25 units